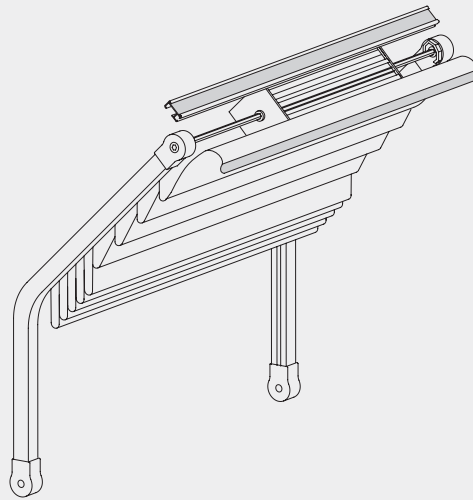


Motorized Wintergarden System

Silent Gliss® 2195



Product Information

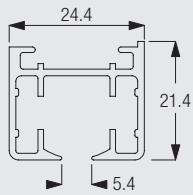
- Electrically operated system for domestic or contract use.
- Pleasing Roman blind effect with Silent Gliss technical or decorative fabrics or customers' own material.
- Blinds can be single, double or triple operation from one motor to correspond to window bays.
- Horizontal, sloping, bent and arched applications.
- Can be operated via fixed switch or radio remote control.
- Side guide profile standard colours: silver, white, bronze, gold and black.



2195

Profile, Bending and Specification Information

Side Guide Profile

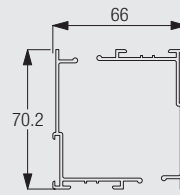


2191



Min. radius 200 mm

Profile 2151 for motor cover



2151



Cannot be bent

Specification Information - download from Silent Gliss Extranet

2195 electrically operated Wintergarden system ready assembled with motor enclosed headbox 2151 complete with drive shafts, side guide channels and cross rods for blinds. Side guide channels to be fixed at 80-100cm centres and headbox to be fixed with 3004 clamps. off.....wide x drop (girth) guide channels, side channels each benttimes with cross rods atcm intervals.

System Dimensions



3m (single)
6m (double)
6m (triple)



6m (all systems)



25kg (all systems)



18sqm (single)
30sqm (double)
36sqm (triple)

Maximum size and weight chart

2195		kg max.	A	B	2195		kg max.	A	B
		18	3 m	6 m			18	3 m	6 m
		18	6 m	6 m			18	6 m	6 m
		18	6 m	5 m			18	6 m	6 m
		25	3 m	6 m			18	3 m	6 m
		25	6 m	6 m			18	6 m	5 m
		25	6 m	6 m			18	6 m	5 m
		25	3 m	6 m			10	3 m	4 m
		25	6 m	6 m			10	6 m	4 m
		25	6 m	6 m			10	6 m	3 m

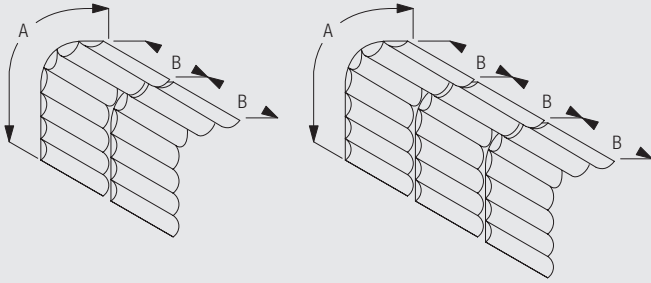
Sloped versions: max. inclination 45°

The system dimensions depend on the number of connected systems, the application and the total fabric weight (including cross bars: 2579 - 0.146kg per m, 2248 - 0.32kg per m). Systems over 2.5m must use 2248 heavy duty cross rod. In double or treble systems where one of the systems is over 2.5m, then all covers must use 2248 cross rod.

When a full arch the system must be centre opening.

System Options

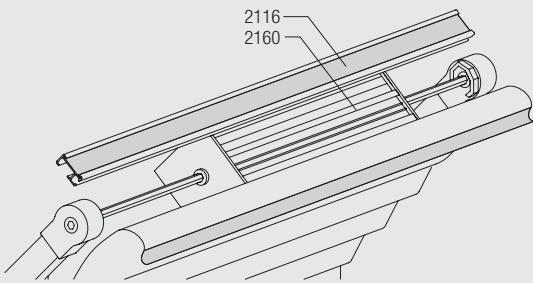
Connected systems



Maximum of three bays can be connected to one system. The maximum system sizes are indicated in the chart under system dimensions.

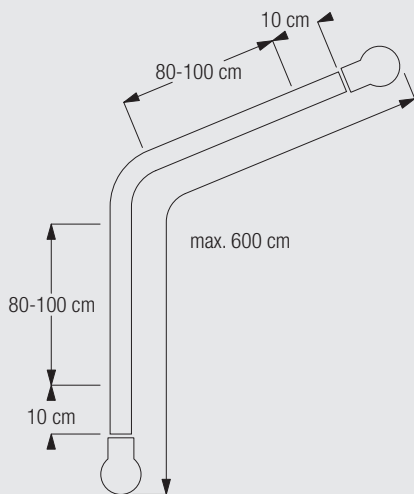
Please note that the sections can be asymmetric but a bay can never exceed a total width of 3m.

Motor cassette 2151 and Velcro profile 2116



Fitting Information

Bracket positioning



2195

Please fix the last bracket as close as possible (max. 10cm) to the guide return.