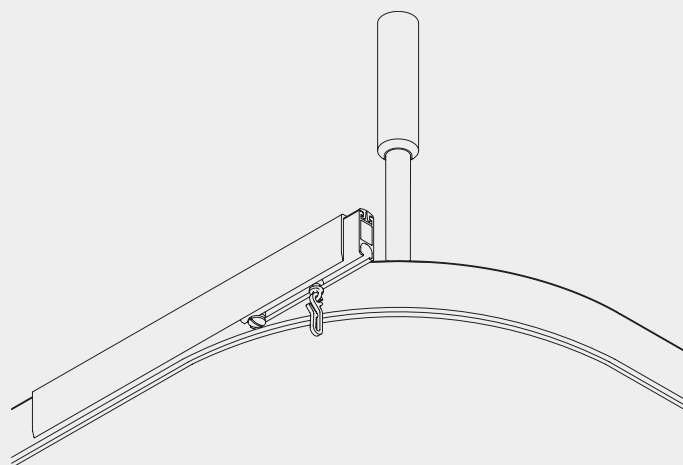


Room Divider/Cubicle/Shower Rail System

Silent Gliss® 6100



Product Information

- For over 40 years the most widely used hospital cubicle system in the world.
- Also used for many varied industrial and commercial applications.
- Attractive profile combines mechanical strength and flexibility with the smoothest performance.
- The design detail gives rigidity and strength with great flexibility in layout whilst achieving a clean unbroken line in hospital wards.
- The top channel maximises connection positions and suspension variations. The dust cover strip reduces the risk of cross infection.
- Quick release safety device is available through distributors for high risk areas, (see System 6650).
- Stand colour silver. Also available in white.
- Standard lengths 6101 in metres: 4.5m, 4.75m, 5.0m, 5.25m, 5.5m, 6.0m, 6.75m, 7.5m (silver only). Profile connector available.
- Standard lengths 6109 in metres: 4.75m, 5.25m, 6.0m, 7.5m(silver only). Profile connector available.
- For medium to heavy curtains.
- An exclusive network of skilled distributors measure, supply and fix all hospital contracts in the U.K. and Eire.
- Conforms to HTM66
- White profile incorporates BioCote anti-microbial coating as standard.



6100