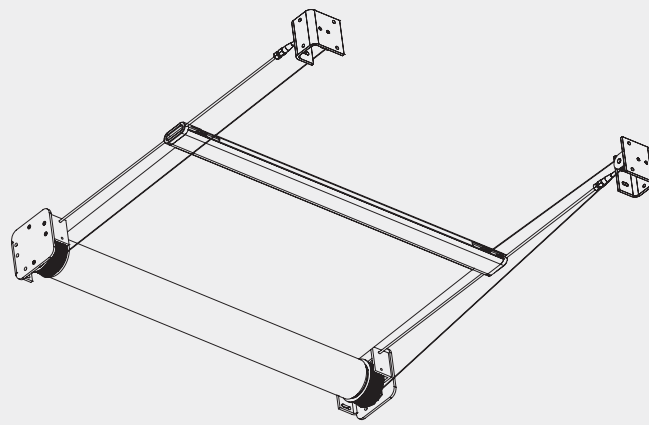


## Motorised Skylight Shading System

# Silent Gliss® 8600



### Product Information

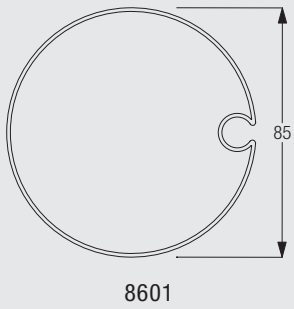
- Wire guided tension roller blind.
- Electrically operated and fully retractable.
- For sloping and horizontal glazing applications.
- Suitable for applications between 0° and 360°.
- Specially selected fabrics available.
- Aluminium parts powder coated white as standard.
- Fasteners and cables in corrosion resistant stainless steel.



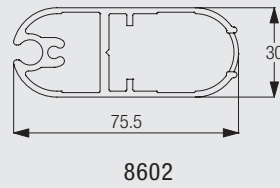
8600

## Profile and Specification Information

### Headrail



### Bottom bar

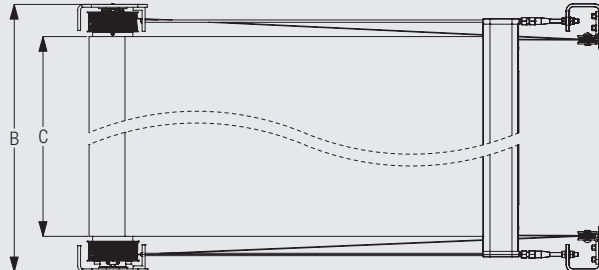
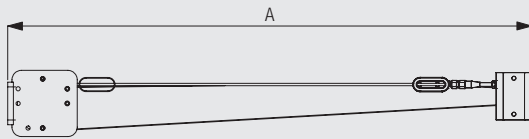


### Specification Information - download from Silent Gliss Extranet

8600 electrically operated tension roller blind skylight system ready assembled with motor. Complete with tension cables, return brackets, with fabric ..... Quantity....., width.....mm x drop.....mm. Wall/ceiling fixing brackets.

## Measuring and Planning

### How to measure

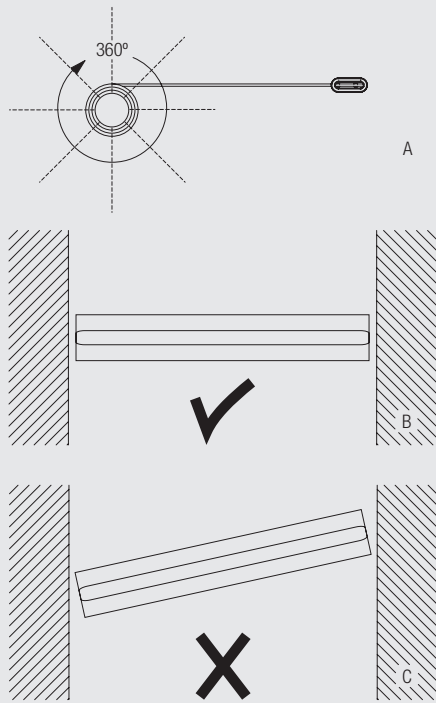


- A: System length
- B: System width
- C: Fabric width (B - 145mm)

Pulling force per bracket: typical 100kg

8600

## System orientation



Side elevation of headrail showing fabric.

A: Fabric pull possible at any angle (0 - 360°) from the centre line of the roller tube.

Vertical section of diagonal axis (B + C)

B: System headrail can only be installed horizontally.

C: System headrail cannot be installed inclined.

## System Dimensions



4m



Up to length of 3m =  
87cm  
Over length of 3m =  
108cm



6.5m

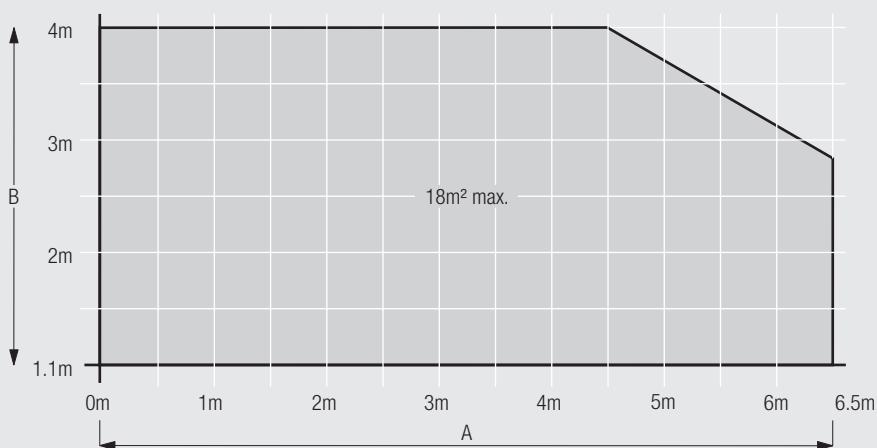


18sqm



40kg

## Loading chart



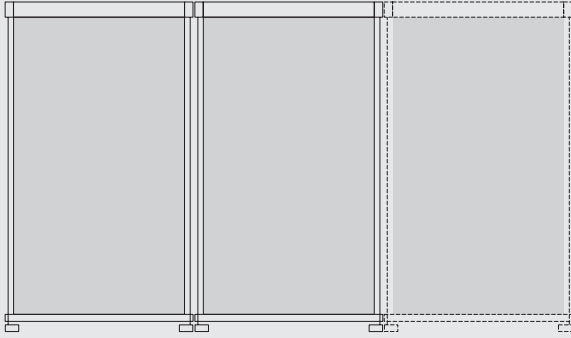
A: System length  
B: System width



8600

## System Options

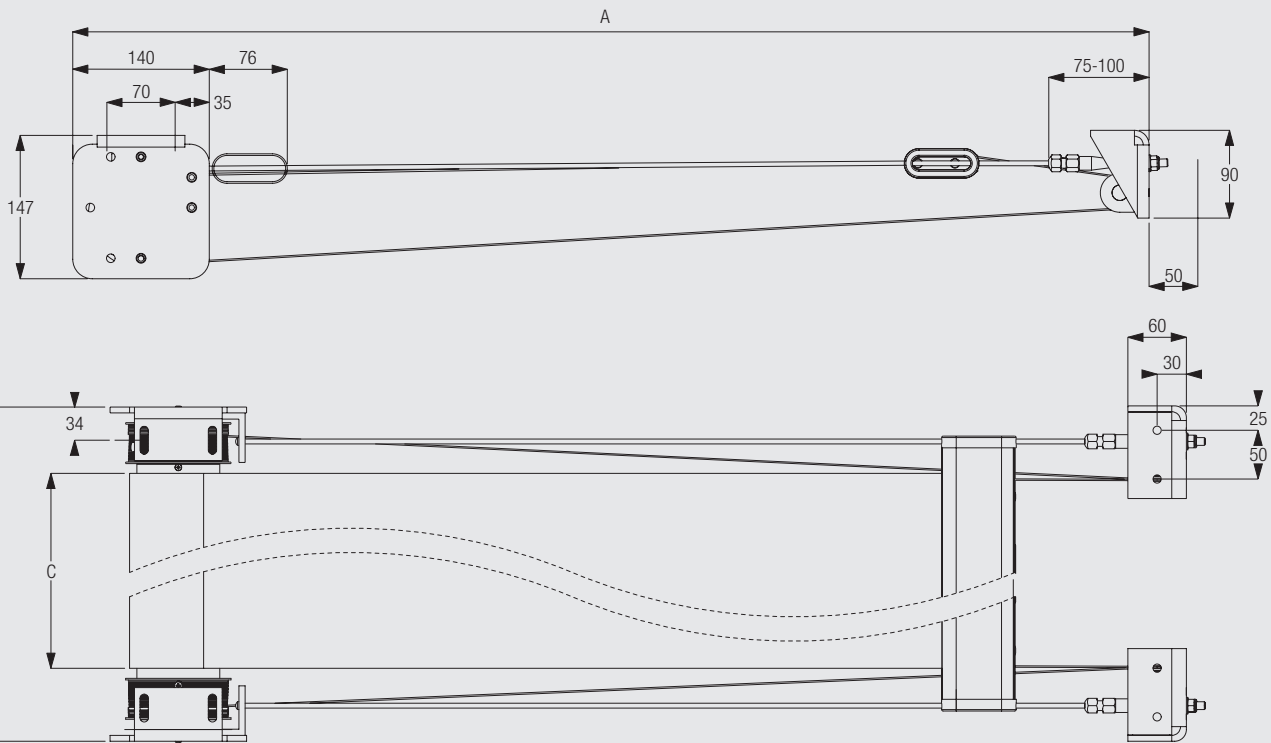
### Multiple systems



Each system requires its own motor.

## Fitting Information

### Ceiling fix



- A: System length
- B: System width
- C: Fabric width (B - 145mm)

Note: ceiling fix return pulley requires 50mm back clearance.