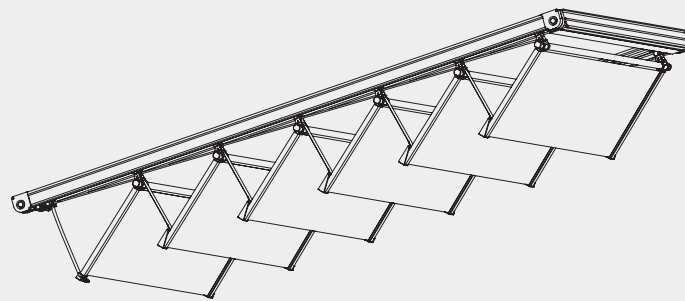


Motorized Skylight Shading System

Silent Gliss® 8800



Product Information

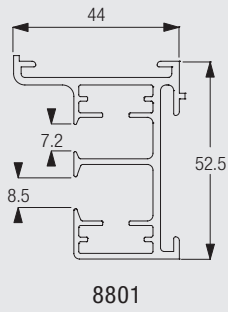
- A unique and technically advanced heavy duty glass roof shading system.
- Panel tilting and retracting technique.
- Suitable for applications up to 30° from horizontal.
- Vertical positions of panels limits soiling and heat build up.
- Specially defined fabrics available.
- The system components are made from flame retardant and UV-resistant material.



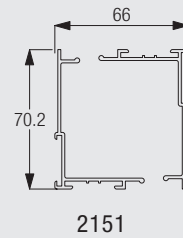
8800

Profile, Bending and Specification Information

Main Carrier Profile



Profile 2151 for motor cover

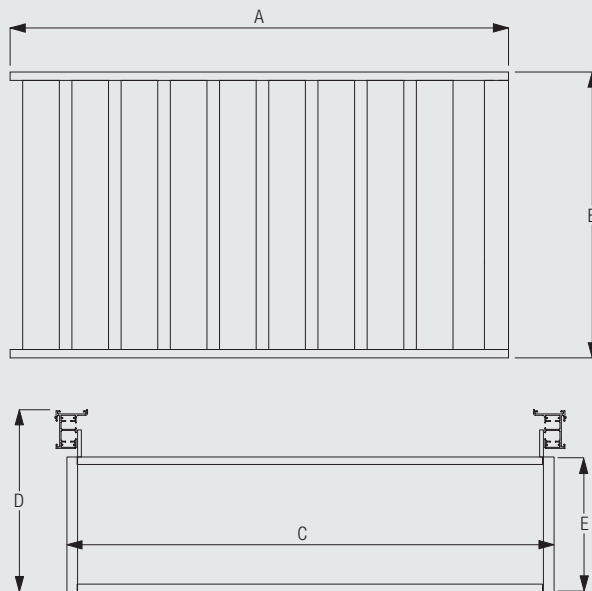


Specification Information - download from Silent Gliss extranet

8800 electrically operated tilting panel skylight system ready assembled with motor enclosed headbox 2151 complete with drive shafts, side guide channels and panels for blinds. Side guide channels to be fixed at 60-80cm centres and headbox to be fixed with 3004 clamps and screw fix through headbox 2151. off.....wide xdrop (girth) guide channels, side channels with fabric panels wide x 36cm drop suspended from system at 32cm intervals.

Measuring and Planning

How to measure



Sides must always be parallel

A: System length

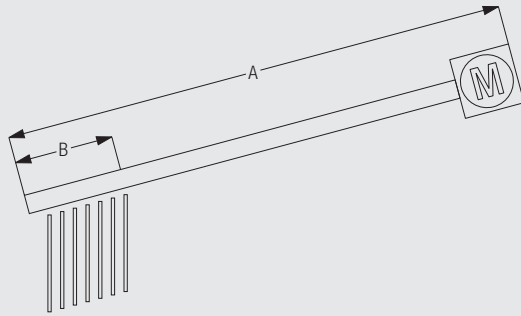
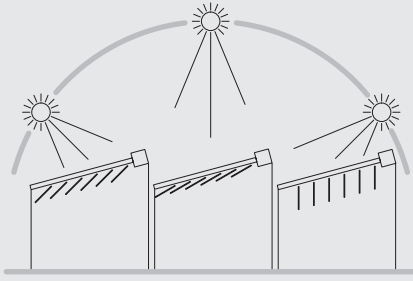
B: System width

C: Panel width

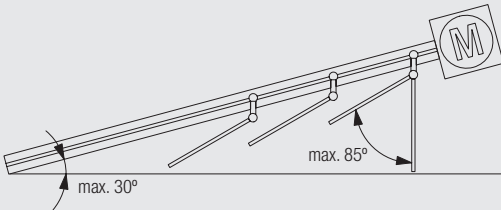
D: Total system height is always 52cm

E: Fabric panel drop - 36cm

Planning guidelines



A	4m	6m	8m	10m	12m
B	43cm	65cm	88cm	114cm	136cm



Orientation of the System

In order to optimize glare and light control, special attention has to be given to the position of the system to the sun throughout the day.

It is important to consider that the panels always tilt towards the stack.

Due to the number of possible variables when planning this system it is important that advice is sought from a Silent Gliss trained technician.

Motor Positioning

With sloping systems, the motor is always positioned at the highest point of the system.

Stack Sizes

Stack sizes are variable: As the length (A) increases, so does the stack (B).

Tilting on a sloping system

Suitable for applications up to 30° from horizontal. The maximum tilting of the panel from its vertical position is 85°.



8800

System and Panel Dimensions



3m



max. 36sqm



12m (0° inclination)
7m (30° inclination)



Max panels: 36



67kg

Maximum system measures

Inclination	0°	15°	30°
Width	3m	3m	3m
Length	12m	10m	7m
height	0.52m	0.52m	0.52m

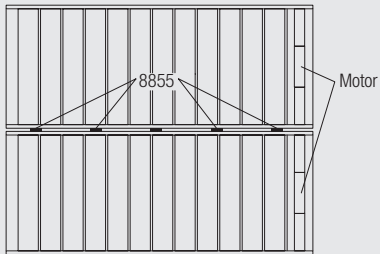
The maximum dimensions of the system and panels depend from the degree of inclination. The angle of the system will affect the maximum dimension.

Panel measurements (fabric)

The height of the fabric panels is always 36cm.

System Options

Multiple systems

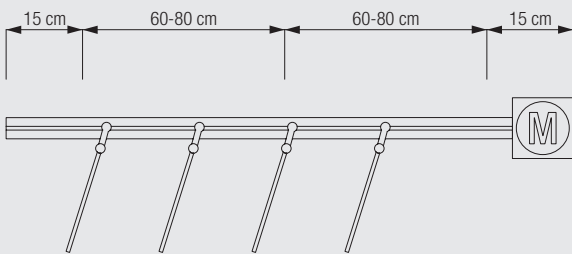


With intermediate bracket 8855 parallel fixing of multiple systems is possible. This allows shading of unlimited glazed areas.

However each system requires its own motor.

Fitting Information

Bracket positioning



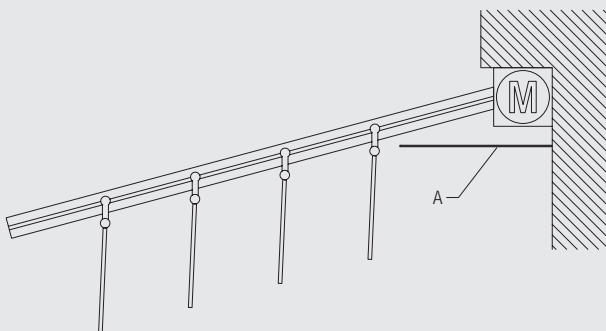
This diagram illustrates the likely positioning of brackets.

It is likely that customised brackets will be required with this system.



8800

Fitting of motor and covering of motor gap



Customised cover panels may be required at either end of the system.